

# Product datasheet

Specifications



## circuit breaker EasyPact Ezc100N - TMD - 40 A - 3 poles 3d

Ezc100N3040

### Main

Range of product	EasyPact
product or component type	Circuit breaker
Device short name	EasyPact Ezc100N
Circuit breaker name	EasyPact Ezc100N
Device application	Distribution
poles description	3P
Protected poles description	3t
Network type	AC DC
Network frequency	50/60 Hz
[In] rated current	40 A at 40 °C
[U <sub>I</sub> ] rated insulation voltage	690 V AC 50/60 Hz conforming to IEC 60947-2
[U <sub>imp</sub> ] rated impulse withstand voltage	6 kV conforming to IEC 60947-2
[U <sub>e</sub> ] rated operational voltage	550 V AC 50/60 Hz conforming to IEC 60947-2 250 V DC conforming to IEC 60947-2
Breaking capacity code	N
Breaking capacity	10 kA Icu at 440 V AC 50/60 Hz conforming to IEC 60947-2 15 kA Icu at 400...415 V AC 50/60 Hz conforming to IEC 60947-2 18 kA Icu at 380 V AC 50/60 Hz conforming to IEC 60947-2 25 kA Icu at 110...130 V AC 50/60 Hz conforming to IEC 60947-2 25 kA Icu at 220...240 V AC 50/60 Hz conforming to IEC 60947-2 5 kA Icu at 125 V DC 1P conforming to IEC 60947-2 5 kA Icu at 250 V DC 2P conforming to IEC 60947-2 5 kA Icu at 550 V AC 50/60 Hz conforming to IEC 60947-2
[I <sub>cs</sub> ] rated service breaking capacity	5 kA at 440 V AC 50/60 Hz conforming to IEC 60947-2 9 kA at 380 V AC 50/60 Hz conforming to IEC 60947-2 12.5 kA at 110/130 V AC 50/60 Hz conforming to IEC 60947-2 12.5 kA at 220/230/240 V AC 50/60 Hz conforming to IEC 60947-2 2.5 kA at 125 V DC conforming to IEC 60947-2 2.5 kA at 250 V DC conforming to IEC 60947-2 2.5 kA at 550 V AC 50/60 Hz conforming to IEC 60947-2 7.5 kA at 400/415 V AC 50/60 Hz conforming to IEC 60947-2
Suitability for isolation	Yes conforming to IEC 60947-2
Utilisation category	Category A
Trip unit name	TM-D
Trip unit technology	Thermal-magnetic
Trip unit rating	40 A at 50 °C
Protection type	Overload protection Short-circuit protection

<b>Pollution degree</b>	3 conforming to IEC 60664-1 3 conforming to IEC 947-1
-------------------------	--

## Complementary

<b>Control type</b>	Toggle
<b>mounting mode</b>	Fixed
<b>mounting support</b>	Backplate
<b>Upside connection</b>	Front
<b>downside connection</b>	Front
<b>Mechanical durability</b>	13000 cycles
<b>Electrical durability</b>	Category A: 4000 cycles 415 V AC 50/60 Hz conforming to IEC 60947-2
<b>Connection pitch</b>	25 mm
<b>local signalling</b>	Positive contact indication
<b>Neutral protection setting</b>	Without protection
<b>Earth-leakage protection</b>	Without
<b>Height</b>	130 mm
<b>Width</b>	75 mm
<b>Depth</b>	60 mm

## Environment

<b>Standards</b>	GB/T 14048.2 EN/IEC 60947-2 JIS C8201-2-2 EN/IEC 60947-1
<b>IP degree of protection</b>	IP20 conforming to IEC 60529
<b>IK degree of protection</b>	IK07 conforming to IEC 62262
<b>Ambient air temperature for operation</b>	-25...70 °C
<b>Ambient air temperature for storage</b>	-35...85 °C

## Packing Units

<b>Unit Type of Package 1</b>	PCE
<b>Number of Units in Package 1</b>	1
<b>Package 1 Height</b>	8 cm
<b>Package 1 Width</b>	8.5 cm
<b>Package 1 Length</b>	14 cm
<b>Package 1 Weight</b>	763 g
<b>Unit Type of Package 2</b>	S02
<b>Number of Units in Package 2</b>	12
<b>Package 2 Height</b>	15 cm
<b>Package 2 Width</b>	30 cm
<b>Package 2 Length</b>	40 cm
<b>Package 2 Weight</b>	9.55 kg
<b>Unit Type of Package 3</b>	P12

<b>Number of Units in Package 3</b>	384
<b>Package 3 Height</b>	75 cm
<b>Package 3 Width</b>	80 cm
<b>Package 3 Length</b>	120 cm
<b>Package 3 Weight</b>	321 kg

## **Contractual warranty**

<b>Warranty</b>	12 months
-----------------	-----------

## Sustainability

**Green Premium™ label** is Schneider Electric's commitment to delivering products with best-in-class environmental performance. Green Premium promises compliance with the latest regulations, transparency on environmental impacts, as well as circular and low-CO<sub>2</sub> products.

**Guide to assessing product sustainability** is a white paper that clarifies global eco-label standards and how to interpret environmental declarations.

[Learn more about Green Premium >](#)

[Guide to assess a product's sustainability >](#)



Transparency RoHS/REACH

## Well-being performance

Reach Free Of Svhc

Toxic Heavy Metal Free

Mercury Free

Rohs Exemption Information Yes

## Certifications & Standards

**Reach Regulation** [REACH Declaration](#)

**Eu Rohs Directive** Compliant  
[EU RoHS Declaration](#)

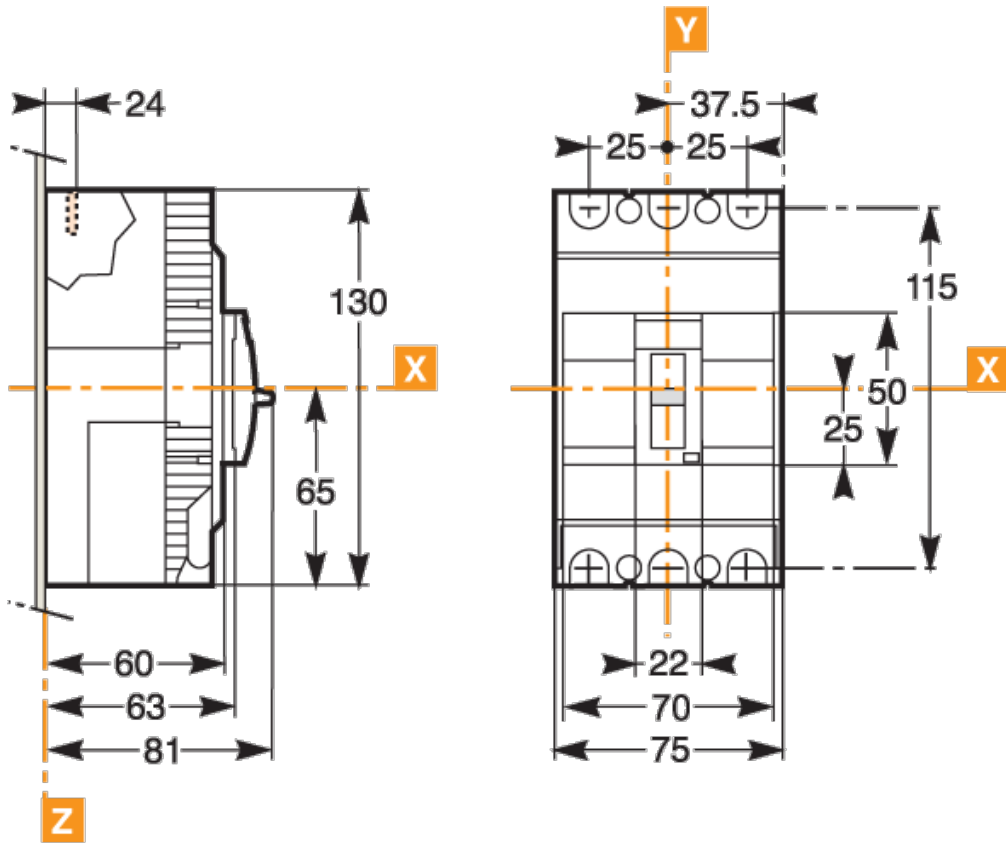
**China Rohs Regulation** [China RoHS declaration](#)

**Environmental Disclosure** [Product Environmental Profile](#)

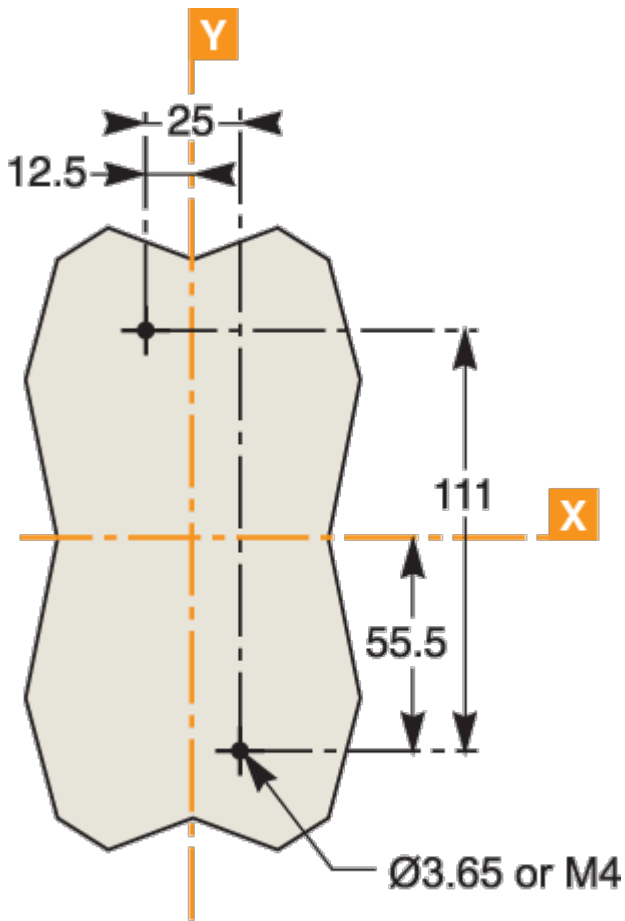
**Weee** The product must be disposed on European Union markets following specific waste collection and never end up in rubbish bins

**Circularity Profile** No need of specific recycling operations

Dimensions Drawings



Assembly



Performance Curves

